

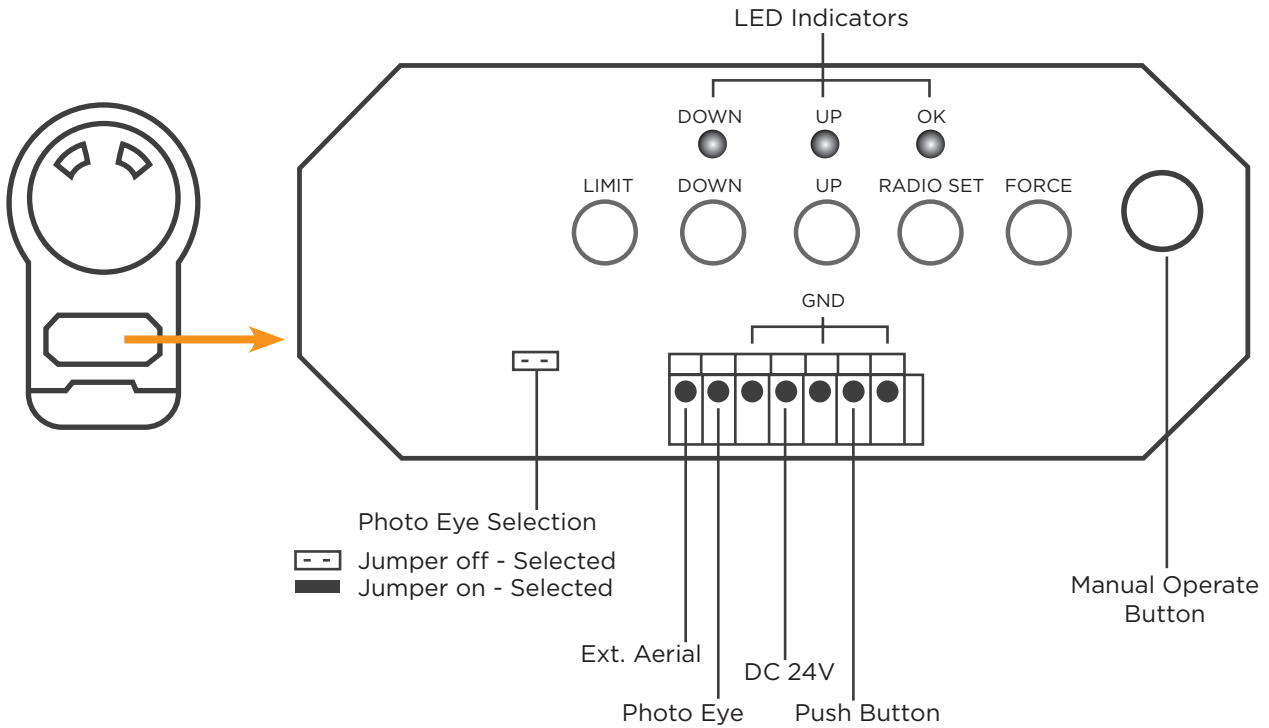


4DR1

Coding Instructions



4DR1
Wall Button



TO CODE IN NEW REMOTE:

- 1 Press "Radio Set" button. The 'OK' led light will flash twice. (this means the unit is ready to accept a remote within a 30 second time frame)
- 2 Press any button on the remote within this 30 second window
- 3 The led 'OK' light will begin flashing and the motor will beep twice. This means the motor has acknowledged the remote has been set.

TO DELETE ALL TRANSMITTERS:

- 1 Press and hold the "SET" button for 7 seconds until the "OK" led light flashes and beeps twice.

CODING